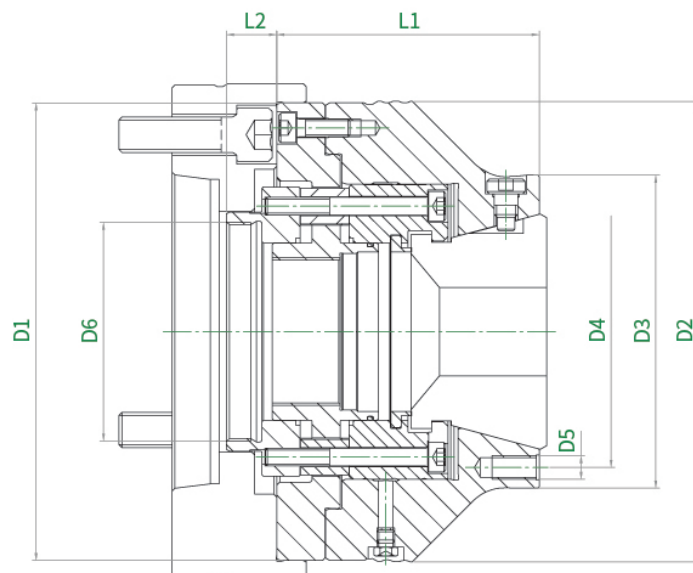


後拉止動夾頭 KSKF-A KSKF-A DRAWBACK COLLET CHUCK WITH RIGID AXIAL STOP

- 與 KSKF 相同，但於夾頭本體中附加了擋塊：夾頭提供高夾緊力和高剛性。由於軸向拉動作用，工件被拉向止擋並提供額外的工件支撐。因此，KSKF-A 型適用於短夾緊工作。
- Same as type KSKF, but with an additional stop for chuck parts which can be screwed on: the clamping head offers high clamping forces and high rigidity as well. Due to the axial pulling effect, the workpiece is pulled against the stop and provides an additional workpiece support. Therefore, the type KSKF-A is perfect with short clamped workpieces.

產品編號 art. no.	夾持範圍 clamping range	L1	L2	D1	D2	D3	D4	D5	D6	max.speed min ⁻¹	collet
KSKF 32-A	4 - 32	70,5	30,5	137	120	84	70	M8	M54 x 1,5	8.000	771E,772E
KSKF 42-A	4 - 42	82,5	17	137	138	104	90	M8	M54 x 1,5	7.000	781E,782E
KSKF 52-A	4 - 52	89	17	155	156	106	92	M8	M74 x 1,5	6.500	783E
KSKF 65-A	5 - 65	94,5	17	155	156	122	110	M8	M74 x 1,5	6.000	787E,788E



TYPE KSKF-A