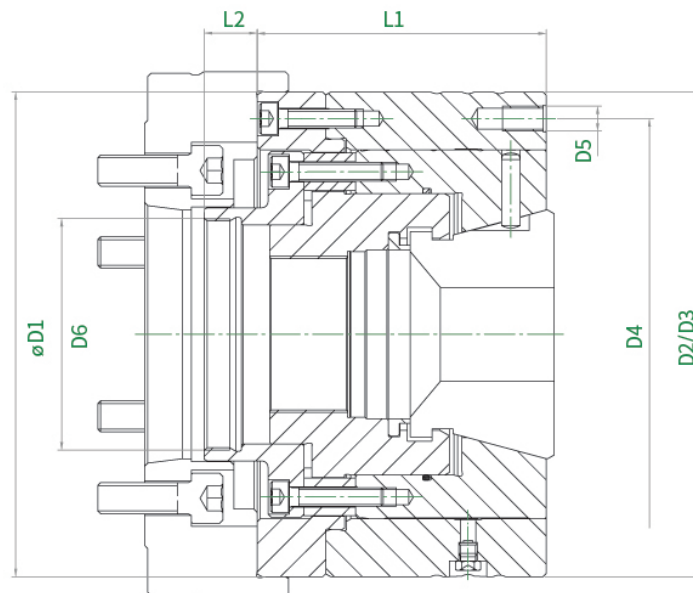


前推零位移夾頭 KSKF-AF KSKF-AF FIXED CLAMPING HEAD

- KSKF-AF 型配有固定夾頭，可用於通孔和止動夾持。壓力套筒被推過軸向固定的夾頭。
 - Type KSKF-AF is equipped with a fixed clamping head and can be used for through as well as for stop clamping. The pressure sleeve is pushed over the axially fixed clamping head. Type KSKF-AF offers a lesser stiffness than that achieved with types KSKF and KSKF-A.
- KSKF-AF 型的夾持力度小於 KSKF 和 KSKF-A 型的力度。

產品編號 art. no.	夾持範圍 clamping range	L1	L2	D1	D2	D3	D4	D5	D6	max.speed min ⁻¹	collet
KSKF 32-AF	4 - 32	80,5	15,5	137	137	105	94	M6	M48 x 1,5	8.000	771E,772E
KSKF 42-AF	4 - 42	81	16	137	137	137	120	M8	M54 x 1,5	7.000	781E,782E
KSKF 52-AF	4 - 52	92,5	17	155	155	155	138	M8	M74 x 1,5	6.500	783E
KSKF 65-AF	5 - 65	92,5	17	155	155	155	138	M8	M74 x 1,5	6.000	787E,788E



TYPE KSKF-AF