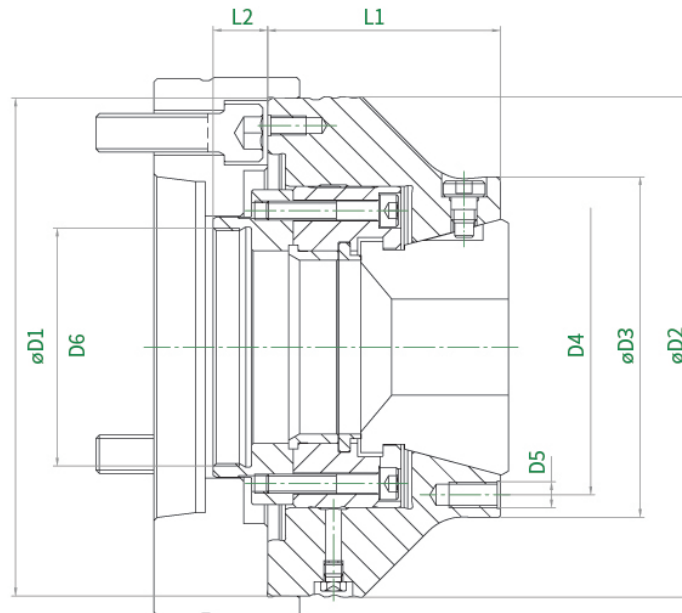


## 通孔夾頭 KSKF KSKF DRAWBACK COLLET CHUCK WITH THROUGH-HOLE

- 帶有通孔的後拉夾頭，用於棒材加工：筒夾在夾緊過程中被拉入夾頭，提供高夾緊力和高剛性。
- 夾頭卡盤工作非常精確，易於設置，運行精度高。
- Drawback collet chuck with through-hole for bar machining: the clamping head is pulled into the chuck during clamping and provides high clamping forces and high rigidity.
- The collet chucks work very precisely and feature an easy set-up as well as high running accuracy.

產品編號 art. no.	夾持範圍 clamping range	L1	L2	D1	D2	D3	D4	D5	D6	max.speed min <sup>-1</sup>	collet
KSKF 32	4 - 32	70,5	17	137	137	84	70	M8	M54 x 1,5	8.000	771E,772E
KSKF 42	4 - 42	69	17	137	137	104	90	M8	M54 x 1,5	7.000	781E,782E
KSKF 52	4 - 52	72,5	17	155	155	106	92	M8	M74 x 1,5	6.500	783E
KSKF 65	5 - 65	78	17	155	155	122	110	M8	M74 x 1,5	6.000	787E,788E



**TYPE KSKF**